



DWG.NO:
RH-LC35-CIWB

TITLE:
3.5"/live roller/chain/int.bottom dr.

CUSTOMER:

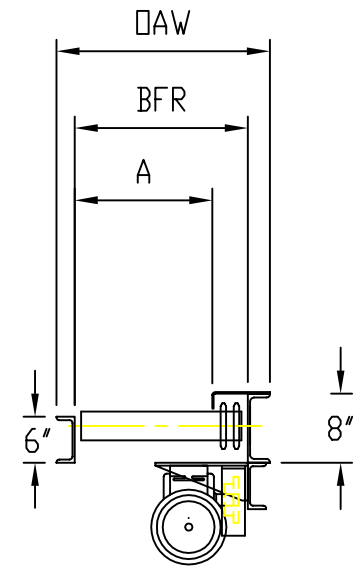
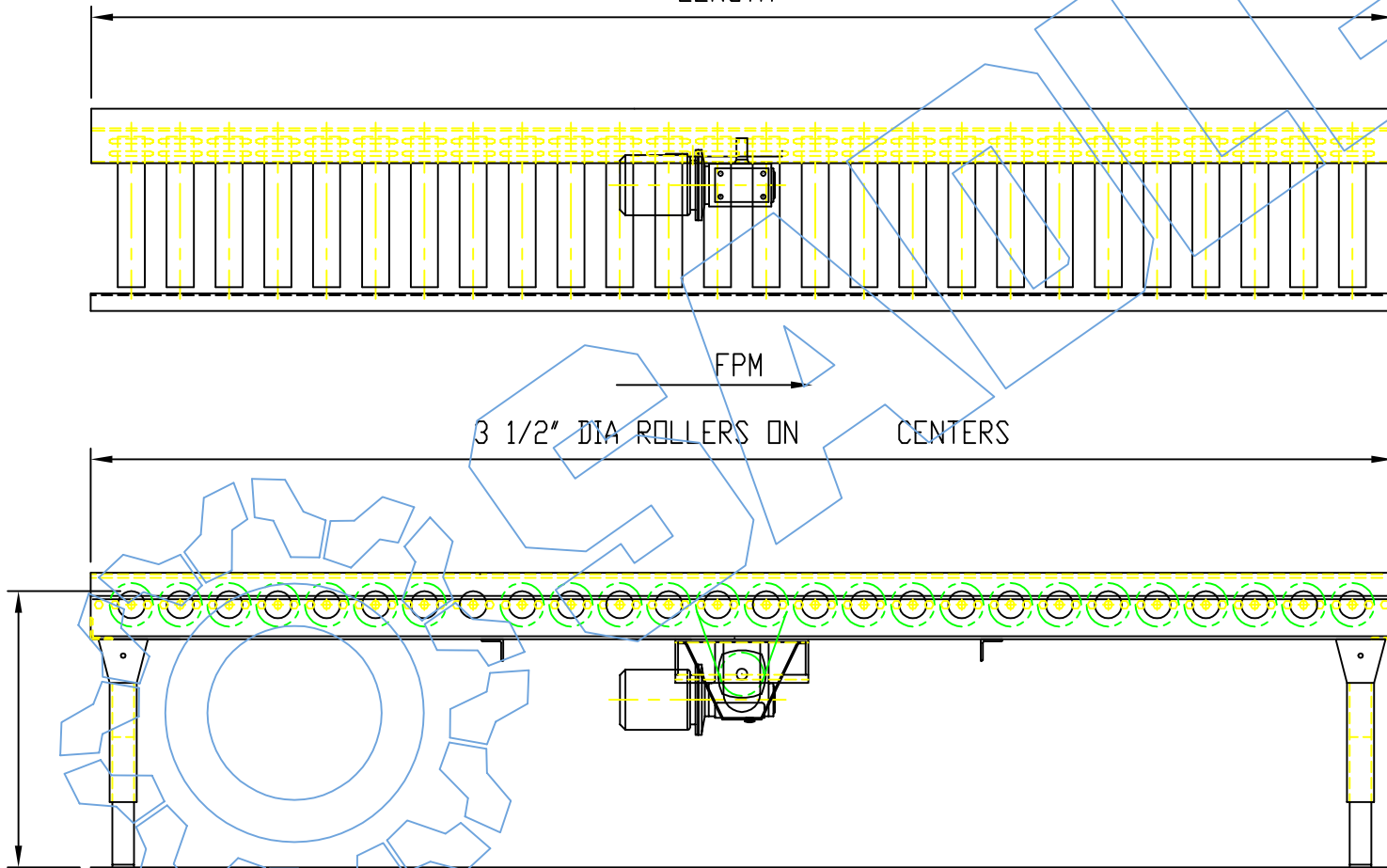
CONTRACT: D27

S.O.:

EXTRA HEAVY DUTY ($\varnothing 3 \frac{1}{2}$ "
CHAIN DRIVEN LIVE ROLLER

LENGTH =

STANDARD BFR: 51"
57"



NOTE:
A = AVAILABLE WIDTH

