



DWG.NO:  
RH-LC35-CEWT

TITLE:  
3.5'/Live roller/chain/external top dr.

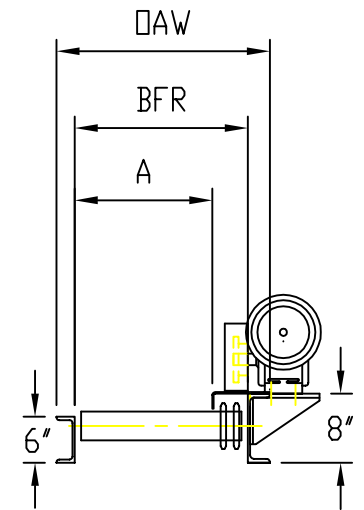
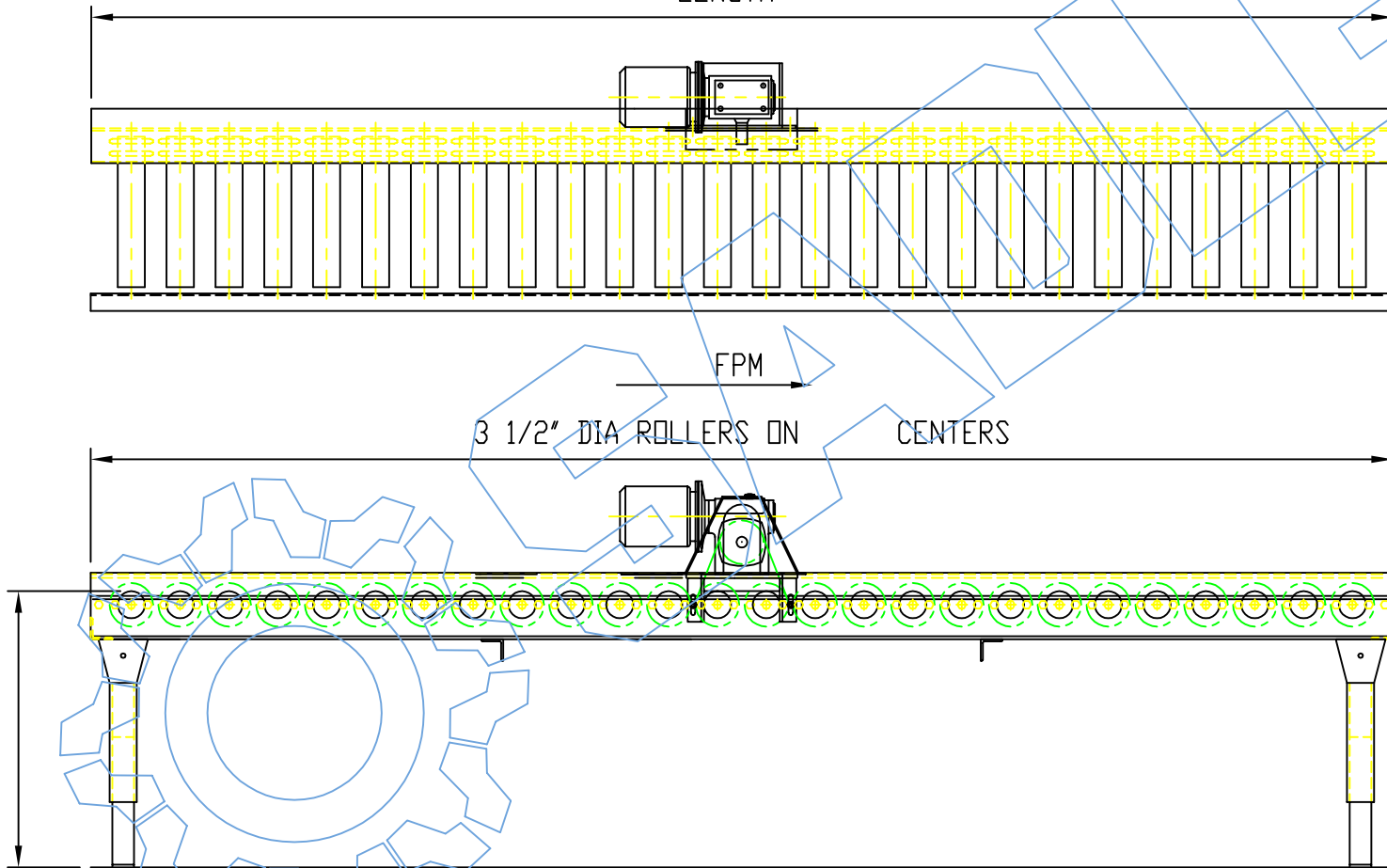
CUSTOMER:

CONTRACT: D26  
S.O.:

EXTRA HEAVY DUTY ( $\text{Ø}3\ 1/2''$ )  
CHAIN DRIVEN LIVE ROLLER

LENGTH =

STANDARD BFR: 51"  
57"



NOTE:  
A = AVAILABLE WIDTH

