



DWG.NO:
RH-LC25-CIWB

TITLE:
Live roller/chain/Internal bottom dr.

CUSTOMER:

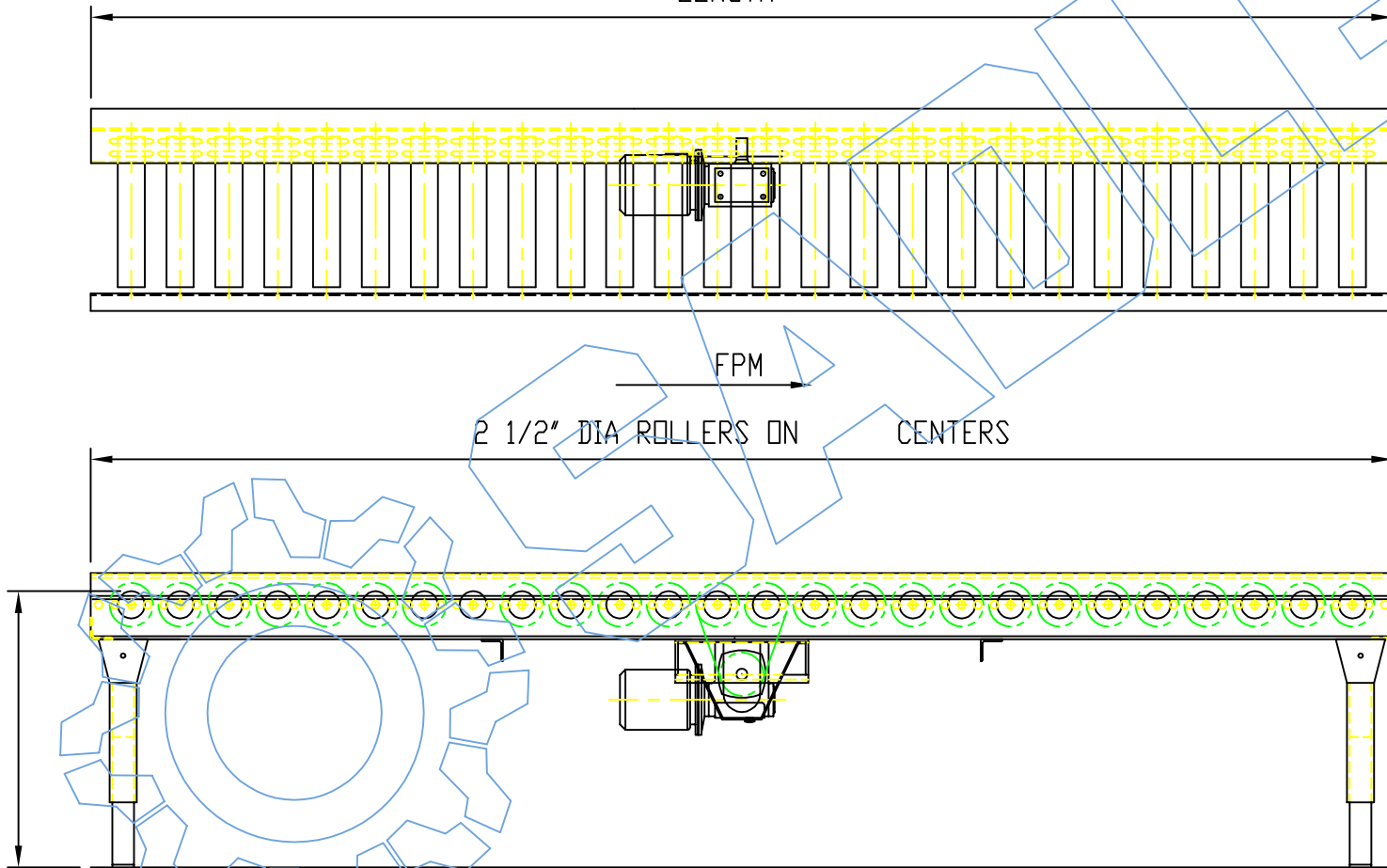
CONTRACT: D25

S.O.:

HEAVY DUTY (Ø2 1/2" ROLLER)
CHAIN DRIVEN LIVE ROLLER

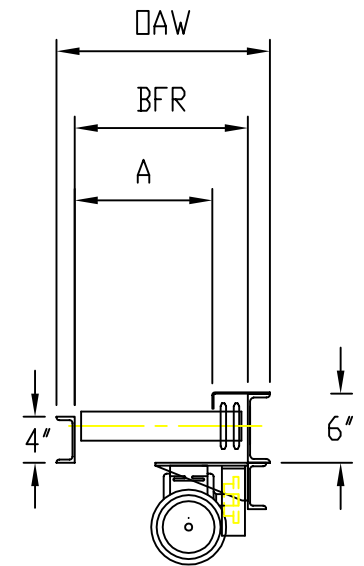
LENGTH =

STANDARD BFR: 51"
57"



FPM

2 1/2" DIA ROLLERS ON CENTERS



NOTE:
A = AVAILABLE WIDTH

