



DWG.NO:  
RH-LC25-CEWT

TITLE:  
Live roller/chain/external top dr.

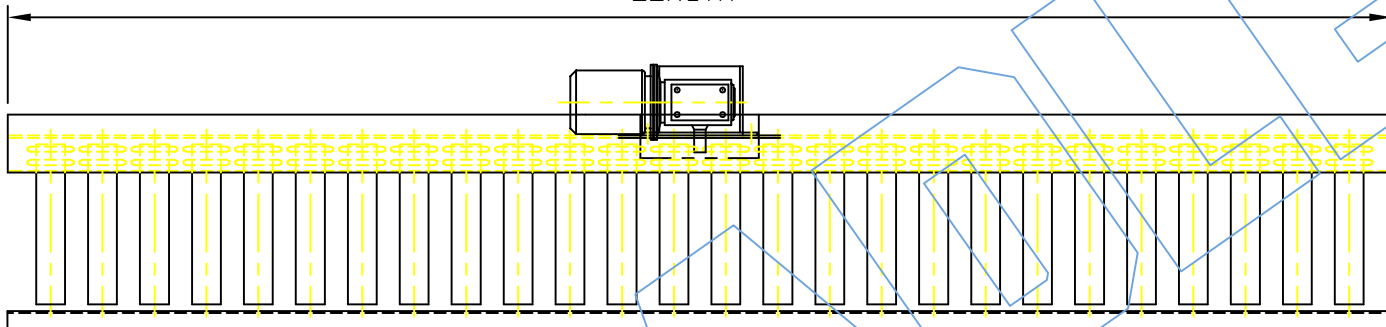
CUSTOMER:

CONTRACT: D24  
S.O.:

HEAVY DUTY (Ø2 1/2" ROLLER)  
CHAIN DRIVEN LIVE ROLLER

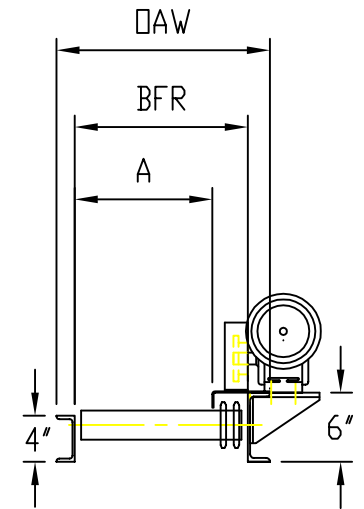
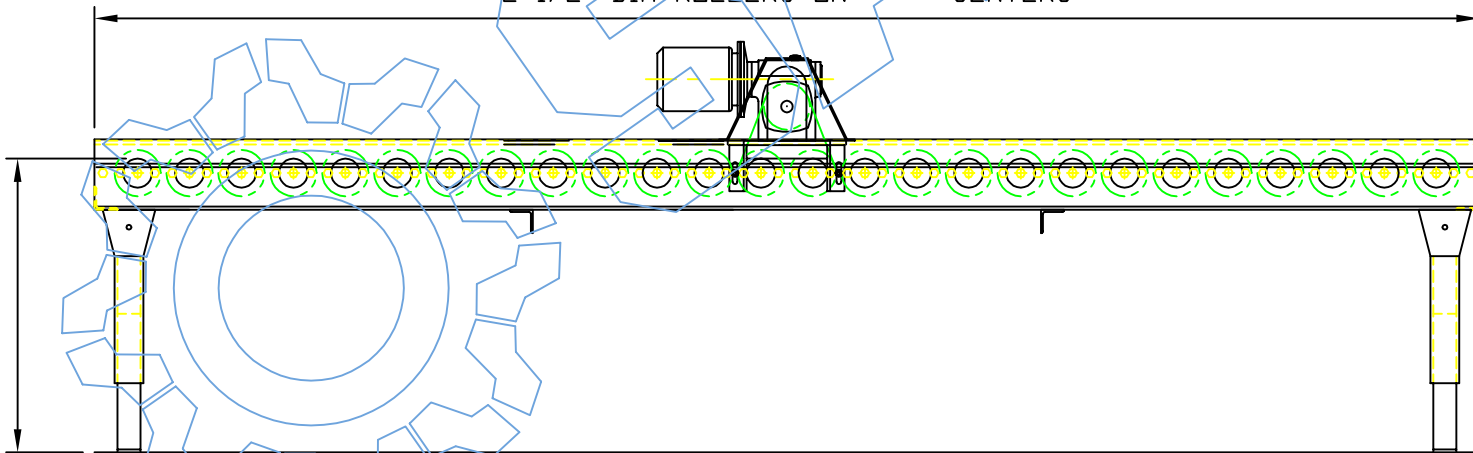
LENGTH =

STANDARD BFR: 51"  
57"



FPM

2 1/2" DIA ROLLERS ON CENTERS



NOTE:  
A = AVAILABLE WIDTH

